

RARE EARTH MAGNETIC FILTER HPN MODEL



Applications

Grinding:

- Centerless ID & OD
- Thru-feed
- Cylindrical Roll
- Double Disc
- Creep Feed &
- Thread Grinding
- Tool Steel Grinding
- Carbide Grinding

Honing

Micro Sizing

Wire Drawing

**HIGH PERFORMANCE RARE EARTH MAGNETIC FILTERS MAINTAIN
10 MICRON NOMINAL CLARITY
WITHOUT THE USE OF CONSUMABLE MEDIA**

Flow Pro's Rare Earth Magnetic Filters are designed to provide the most efficient filtration at minimum cost. Our raised pole drum construction incorporates a 360° uninterrupted magnetic field. Each unit contains an adjustable automatic indexing control driven by Flow Pro's unique coolant level probe. The drum does not continually rotate. Dirty coolant entering the inlet of the magnetic filter flows across the solid magnetic drum. As the coolant flows against the drum, particles are attracted and held. Because the drum is not rotated continuously, the captured contaminants act as filter media to attract additional magnetic particles as well as non-magnetic particles such as wheel abrasives. Contaminants are discharged only when the drum is indexed resulting in drier particulates and less coolant loss.

With this technology, these units can achieve 10 micron nominal coolant clarity and removal of over 99% of all grinding fines over 10 micron. Ultimately the concept results in the most-reliable, ultra-efficient filtration and removal of magnetic and non-magnetic contaminants, from metal-working coolants.

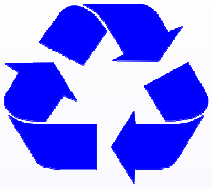
Phone: (815) 836-1900 Fax: (815) 836-1901

1000 W. Crossroads Pkwy Unit I Bolingbrook, IL 60490

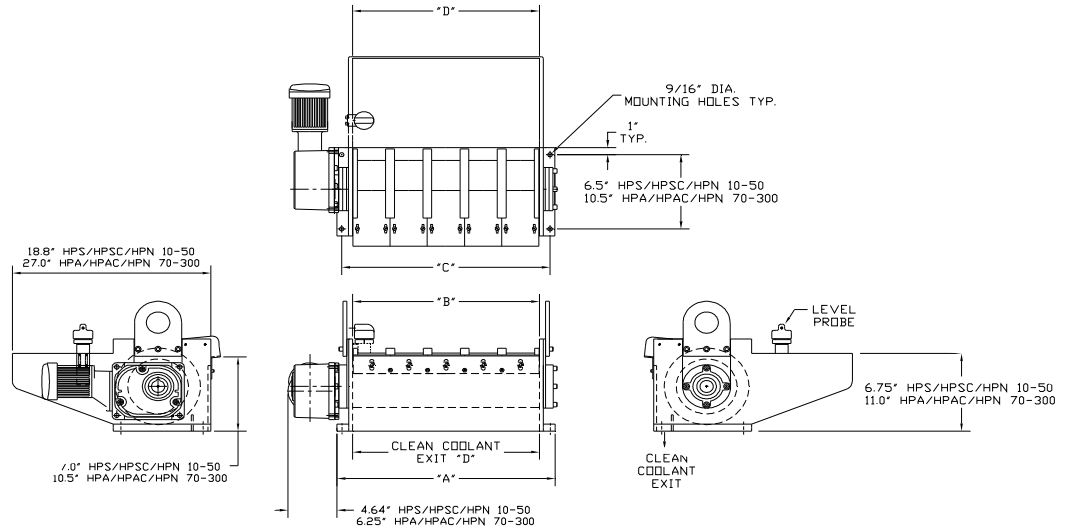
WWW.FLOWPROINC.COM

COPYRIGHT © FLOWPRO PRODUCTS, INC. 2014 ALL RIGHTS RESERVED

**FLOW PRO
PRODUCTS, INC.**



RARE EARTH MAGNETIC FILTER HPN MODEL



| HPN-10 THRU HPN-50 IN DECIMALS OF AN INCH (MILLIMETERS) | | | | | |
|--|------------------------|---------------|---------------|---------------|---------------|
| MODEL** | Flow Rate* (G.P.M.) | A | B | C | D |
| HPN-10 | 10 | 10.750 (273) | 7.000 (178) | 9.500 (241) | 7.000 (178) |
| HPN-15 | 15 | 14.125 (359) | 10.375 (264) | 12.875 (327) | 10.375 (264) |
| HPN-20 | 20 | 17.438 (443) | 13.688 (348) | 16.188 (411) | 13.688 (348) |
| HPN-30 | 30 | 24.063 (611) | 20.313 (516) | 22.813 (579) | 20.313 (516) |
| HPN-40 | 40 | 30.750 (781) | 27.000 (686) | 29.500 (749) | 27.000 (686) |
| HPN-50 | 50 | 37.375 (949) | 33.625 (854) | 36.125 (918) | 33.625 (854) |
| HPN-70 THRU HPN-300 IN DECIMALS OF AN INCH (MILLIMETERS) | | | | | |
| MODEL** | Flow Rate* (G.P.M.) | A | B | C | D |
| HPN-70 | 70 | 27.813 (706) | 23.813 (605) | 26.563 (675) | 23.813 (605) |
| HPN-90 | 90 | 32.563 (827) | 28.563 (725) | 31.313 (795) | 28.563 (725) |
| HPN-110 | 110 | 37.313 (948) | 33.313 (846) | 36.063 (916) | 33.313 (846) |
| HPN-130 | 130 | 42.063 (1068) | 38.063 (967) | 40.813 (1037) | 38.063 (967) |
| HPN-150 | 150 | 46.813 (1189) | 42.813 (1087) | 45.563 (1157) | 42.813 (1087) |
| HPN-160 | 160 | 51.563 (1310) | 47.563 (1208) | 50.313 (1278) | 47.563 (1208) |
| HPN-170 | 170 | 56.313 (1430) | 52.313 (1329) | 55.063 (1399) | 52.313 (1329) |
| HPN-200 | 200 | 65.875 (1673) | 61.875 (1572) | 64.625 (1641) | 61.875 (1572) |
| HPN-250 | 250 | 80.125 (2035) | 76.125 (1934) | 78.875 (2003) | 76.125 (1934) |
| HPN-300 | 300 | 94.375 (2397) | 90.375 (2296) | 93.125 (2365) | 90.375 (2296) |

* Flow rates are based on water based coolant applications. Flow rates on oil applications are reduced by 50%.

These dimensions are for general reference only and are not certified drawings

Phone: (815) 836-1900 Fax: (815) 836-1901

1000 W. Crossroads Pkwy Unit I Bolingbrook, IL 60490

WWW.FLOWPROINC.COM

FLOW PRO
PRODUCTS, INC.