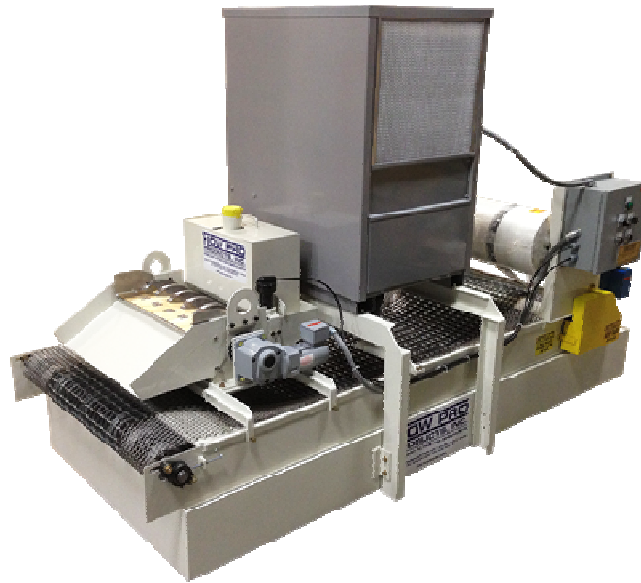


# **COMBINATION MAGNETIC / PAPERBED FILTER HPS-HPN/PBLS & HPA/PBLS MODELS**



## ***Applications***

- Metal Working
- Honing
- Grinding
- Sawing
- Parts Washing

### **COMBINATION MAGNETIC/ PAPER BED FILTER SYSTEMS REMOVE 98% OF ALL SOLIDS**

Utilizing a high intensity solid core (Ferrite or Rare Earth) permanent magnet, the magnetic filter removes 98% of all solids (by weight) from the coolant stream. Each unit contains an adjustable automatic indexing control driven by Flow Pro's unique coolant level probe. The Paper Bed further polishes the coolant making it ready to be sent back to process. The Flow Pro combination Magnetic/Paper Bed filter is designed to reduce PPM while at the same time reducing over-all consumption of filter media providing a substantial cost savings.

The filters are available as stand alone units or as custom systems specific to an application. Each system can be built with optional equipment such as Pumps, Transfer Tanks, Custom Clean Coolant Tanks (carbon steel or stainless steel), Chillers, Conveyors, and Automatic Coolant Make-Up Systems.

Like the standard Paper Bed systems, each of the combination units are configured by filter area and flow rate, and range anywhere from 10 gallons per minute up to 200 gallons per minute. Flow rates are based on water based coolant. Flow rates for oil applications are reduced by 50%.

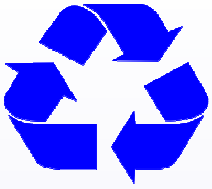
**Phone: (815) 836-1900 Fax: (815) 836-1901**

**618 Anderson Drive, Suite A, Romeoville, IL 60446**

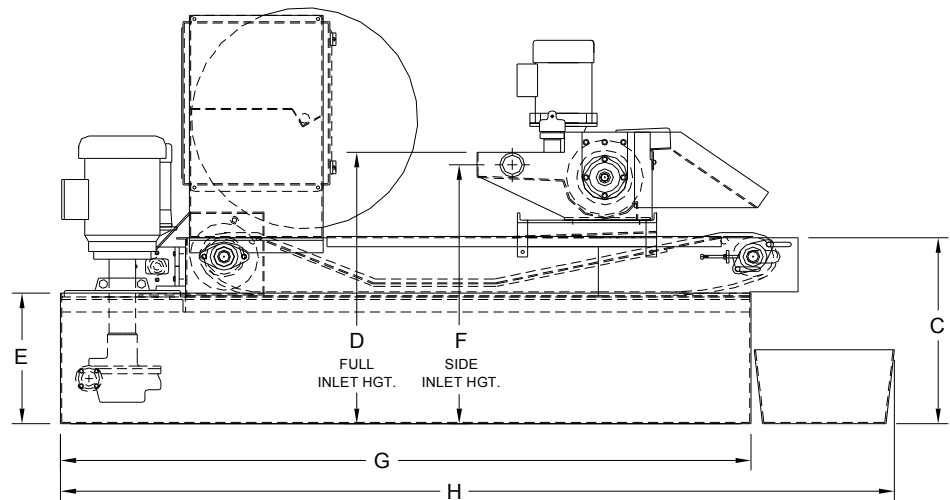
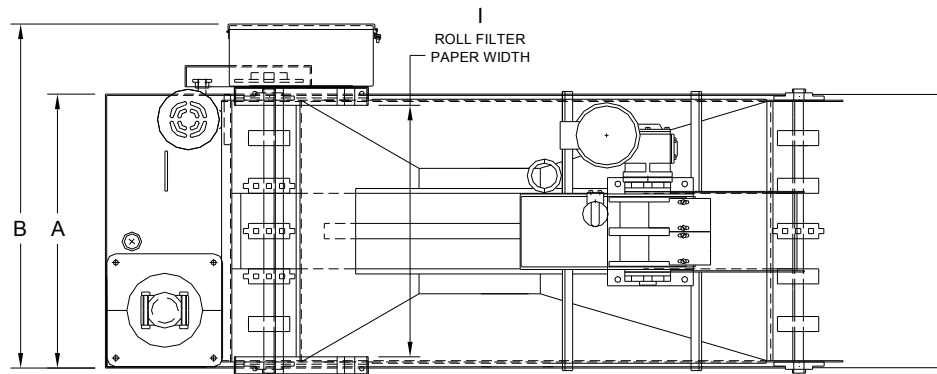
**WWW.FLOWPROINC.COM**

COPYRIGHT© FLOWPRO PRODUCTS, INC. 2014 ALL RIGHTS RESERVED

**FLOW PRO  
PRODUCTS, INC.**



# COMBINATION MAGNETIC / PAPERBED FILTER HPS-HPN/PBLS & HPA/PBLS MODELS



Model	Filter Area (Sq.Ft.)	Flow Rate (GPM)	A	B	C	D	E	F	G	H	I
HPS-15/PBLS-6.5	6.5	1-15	27.25	34	14.50	23.00	9	21.25	67	80	24
HPS-20/PBLS-10	10	15-20	39.25	48	15.87	24.37	9	22.62	67	80	36
HPS-30/PBLS-15	15	20-30	39.25	48	15.87	24.37	9	22.62	91	104	36
HPS-40/PBLS-18	18	30-40	39.25	48	15.87	24.37	9	22.62	103	116	36
HPS-50/PBLS-20	20	40-50	51.25	60	15.87	24.37	9	22.62	91	104	48
HPA-70/PBLS-24	24	50-70	51.25	60	15.87	30.50	9	22.62	103	116	48
HPA-90/PBLS-28	28	70-90	51.25	60	18.87	33.50	12	N/A	115	128	48
HPA-90/PBLS-38	38	70-90	51.25	60	18.87	33.50	12	N/A	144	157	48
HPA-110/PBLS-38	38	90-110	51.25	60	18.87	33.50	12	N/A	144	157	48
HPA-130/PBLS-38	38	110-130	51.25	60	18.87	33.50	12	N/A	144	157	48
HPA-150/PBLS-50	50	130-150	51.25	60	18.87	33.50	12	N/A	180	193	48
HPA-200/PBLS-50	50	150-200	51.25	60	18.87	33.50	12	N/A	180	193	48

\* Flow rates are based on water based coolant applications. Flow rate on the oil applications are reduced by 50%.

**Phone: (815) 836-1900    Fax: (815) 836-1901**

**618 Anderson Drive, Suite A, Romeoville, IL 60446**

**WWW.FLOWPROINC.COM**

**FLOW PRO PRODUCTS, INC.**